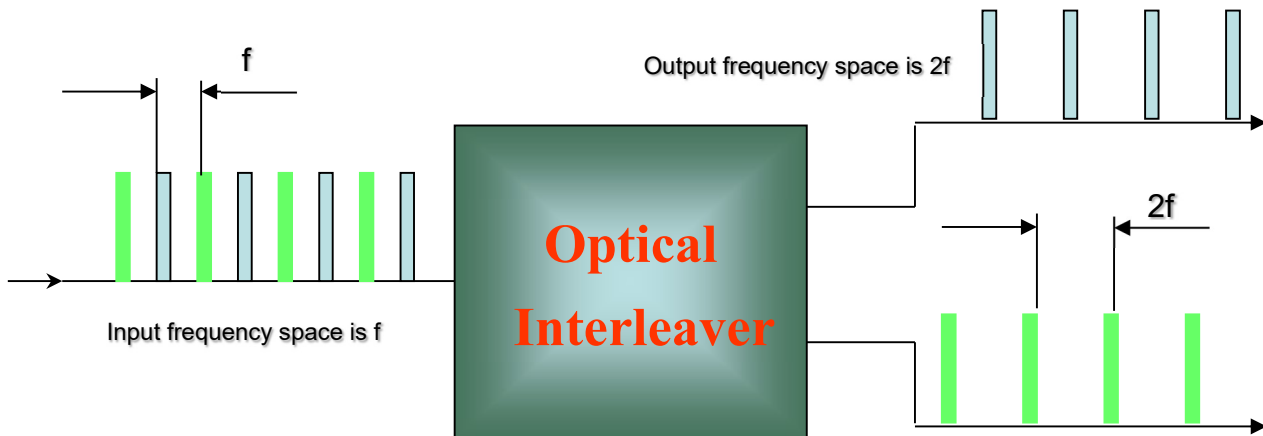


1 DESCRIPTION

1.1 Product Function

FIBERWDM's optical interleaver is based on its patent technology. It is a three-port optical passive device. When a series wave with frequency space f pass this device, this wave will be de-multiplexed to two series wave with frequency space $2f$ and interleaved output to other two ports. The optical interleaver is complete passive, no temperature control need, with excellent environmental stability. It meets Telcordia GR-1221-CORE requirements.

Optical interleaver offers High stability and reliability, Completely passive, Optical path epoxy free.



1.2 Product Application

NA

2 SPECIFICATION

<OPTIC/ELECTRIC REQUIREMENT>

NO.	PARAMETER	SPECIFICATION	UNITS	NOTE
2.1	Channel Spacing	50/100	GHz	
2.3	Wavelength Range	1529.16~1560.61	nm	
2.4	Central Wavelength	ITU-T standard wavelength		
2.6	Wavelength Accuracy	± 0.05	nm	
2.7	Bandwidth@0.5dB	± 0.17	GHz	
2.8	Bandwidth@25dB	≤ 0.7	GHz	
2.9	Test Bandwidth	± 6	GHz	
2.10	Ripple	≤ 0.5	dB	1
2.11	Insertion Loss	≤ 2.4	dB	1,2
2.12	Insertion Loss Uniformity	≤ 1	dB	
2.13	Adjacent Channel Isolation	≥ 24	dB	1
2.14	Return Loss	≥ 40	dB	
2.15	Directivity	≥ 55	dB	
2.16	Chromatic Dispersion	± 75	ps/nm	1

2.17	Polarization Mode Dispersion (PMD)	≤ 0.2	ps	1
2.18	Polarization Dependent Loss (PDL)	≤ 0.5	dB	1
2.19	Temperature Dependant Loss (TDL)	≤ 0.003	dB/°C	1
2.20	Wavelength Temperature Stability	≤ 0.7	pm/°C	1
2.21	Dimension	132×35×12	mm	

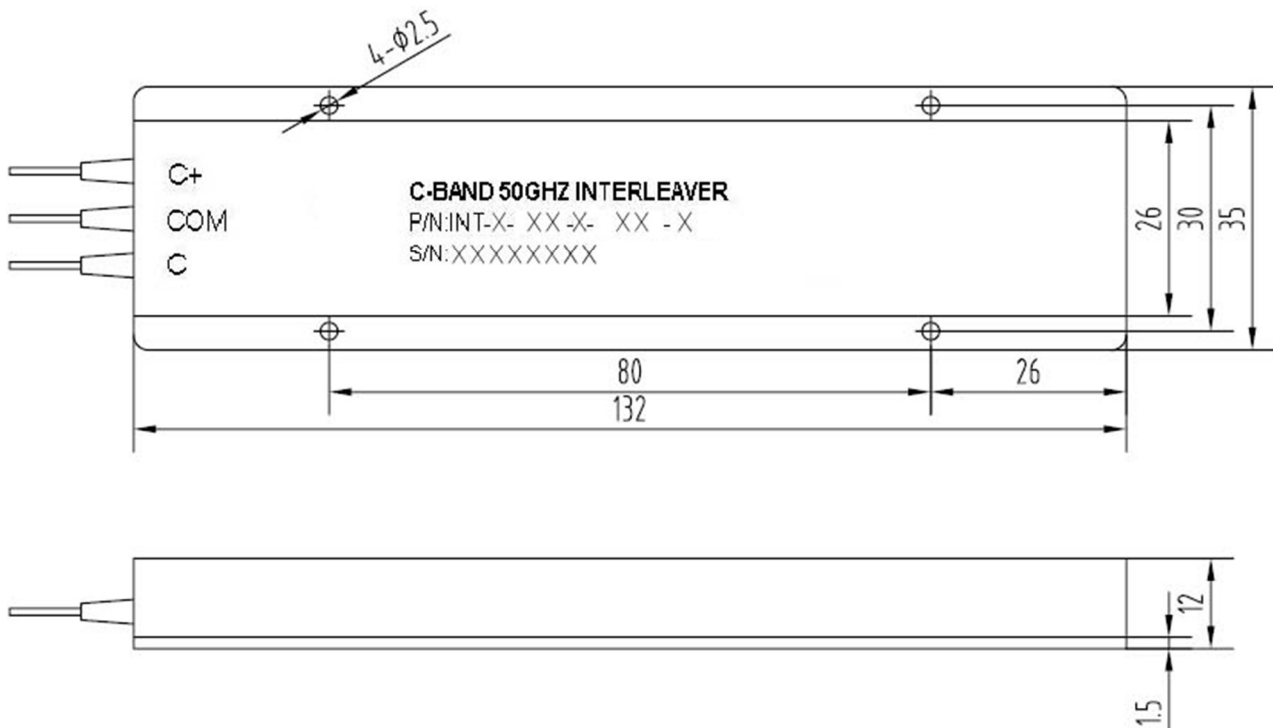
1, Room Temperature.

3 ABSOLUTE MAXIMUM RATINGS

<OPERATION/STORAGE TEMPERATURE/HUMIDITY>

NO	PARAMETER	SPECIFICATION	UNITS	NOTE
3.1	Operation Temperature	-5~65	°C	
3.2	Operation Humidity	5~95	%RH	
3.3	Storage Temperature	-40~85	°C	
3.4	Storage Humidity	5~95	%RH	
3.5	Max Optical Power Handling (total)	27	dBm	

4 MECHANICAL DRAWINGS



5 PIGTAIL AND CONNECTOR

PARAMETER	SPECIFICATION	UNIT	NOTE
Pigtail Type(All ports)	900um loose tube with SMF bifer		

PARAMETER	SPECIFICATION	UNIT	NOTE
Pigtail Length(All ports)	1.0±0.1	m	Include connectors
Connector Type(All ports)	FC/UPC		

6 Wavelength Plan

Label	First ITU Frequency(THz)	Last ITU Frequency(THz)	Channel Spacing(GHz)
C+	192.15	196.05	100
C	192.10	196.00	100