

Single Fiber 20CH (40waves) DWDM MUX/ DEMUX, With R/B Filter, LC/UPC, 1U Rack



The 20ch(40waves) DWDM MUX/ DEMUX with Blue and Red (R/B) filter, is used in pairs, designed by FIBERWDM, in side A, the waves are: RX C19 to C38(1562.23nm~1546.92nm), TX C42 to C61(1543.73nm~1528.77nm); And in side B, the waves are: RX C42 to C61(1543.73nm~1528.77nm), TX C19 to C38(1562.23nm~1546.92nm). it conjunct with the DWDM amplifiers and DCM device, the 20ch DWDM transfer system can support a long distance transmission in one fiber.

So it is greatly used in which rare optical fiber resource, like in Broadcast and TV, IDC, finance, government, cloud, massive data and other industries.

Product Panel

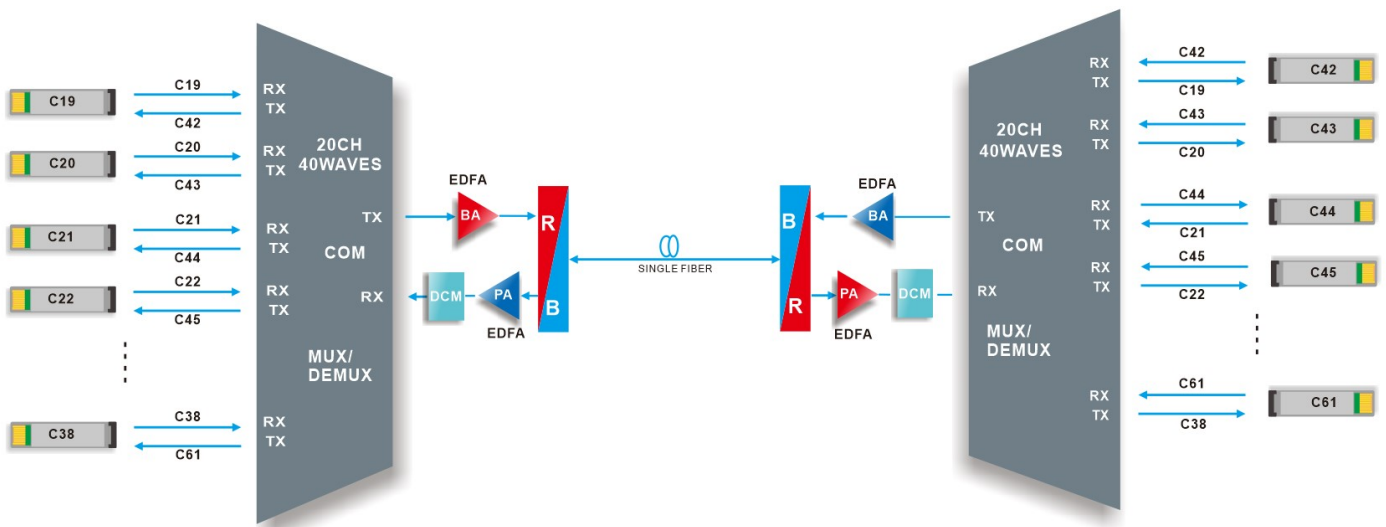


20CH DWDM MUX/ DEMUX RX C19 to C38/ TX C42 to C61 With R/B Side A



20CH DWDM MUX/ DEMUX RX C42 to C61/ TX C19 to C38 With R/B Side B

Line Link



20CH DWDM MUX/ DEMUX with R/B and EDFA for long distance Single fiber BIDI transmission

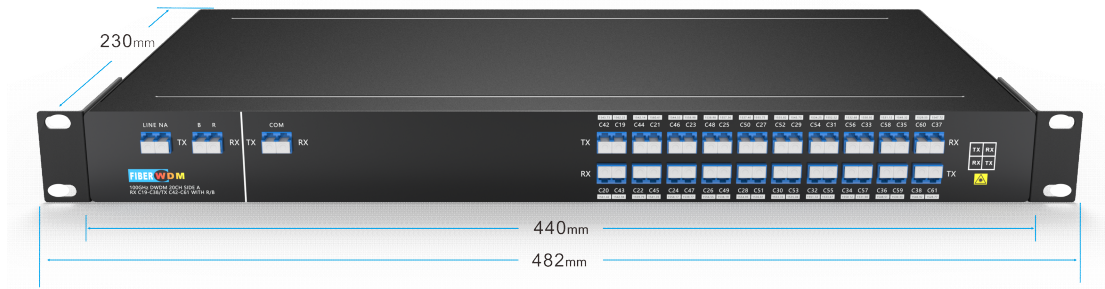
In long distance point-to-point transmission, if without R/B component in DWDM system in single fiber BIDI transmission, it can not add EDFA amplifier in the system, so to solve this problems, we designed the R/B component in DWDM system; the Device is totally passive, and supports 20 channels difference business in one optical fiber bi-direction point-to-point transmission, so it is greatly used in which rare optical fiber resource and long distance, like in Broadcast and TV, IDC, finance, government, cloud, massive data and other industries.

Product Specification

Wavelength	40 waves C19-C38/C42-C61	Channel Spacing	100GHz (0.8nm)
Channel Passband	±0.11nm	Technology	AAWG (Gaussian)
Insertion Loss@DWDM	≤ 3.5dB	Link Loss@DWDM	≤ 7dB
Passband Ripple	≤ 0.5dB	Center Wavelength Accuracy	±0.05nm
Return Loss	≥ 40dB	Directivity	≥ 40dB
Polarization Mode Dispersion	≤ 0.1ps	Polarization Dependent Loss	≤ 0.3dB
Channel Isolation	Adjacent ≥ 25dB Non-adjacent ≥ 30dB	Temperature	Operating -5 to 65°C Storage -40 to 85°C
Insertion Loss@R/B	PASS:≤ 0.6dB Reflect:≤0.8dB	Isolation@R/B	PASS:≥ 30dB Reflect:≥15dB
Net Weight	1.5KG	Dimensions (HxWxD)	44*440*230mm

Note: Specified with connectors.

Package Information



19" Inch 1U Rack

Order Information

Product No.	Product description
DM40-1U01-C1961-RB	DWDM MUX/ DEMUX 20CH 40 Waves (RX C19-C38/ TX C42-C61) with R/B component, Single fiber, LC/UPC , 1U Rack Side A
DD40-1U01-C1961-RB	DWDM MUX/ DEMUX 20CH 40 Waves (RX C42-C61/ TX C19-C38) with R/B component, Single fiber, LC/UPC , 1U Rack Side B

Note: We Support Customized Design, please contact us by email.